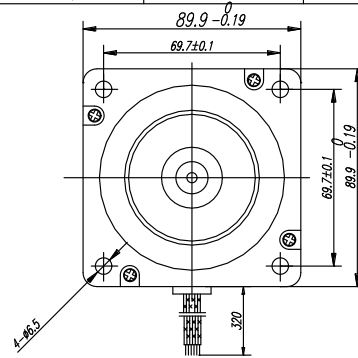
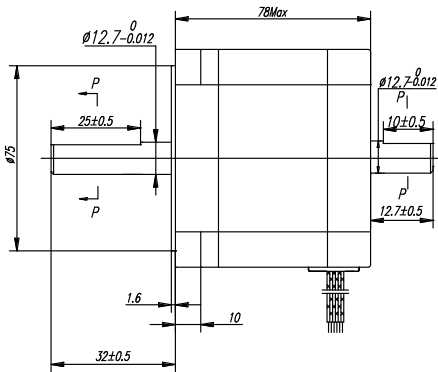
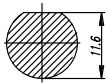


□ DIMENSIONS

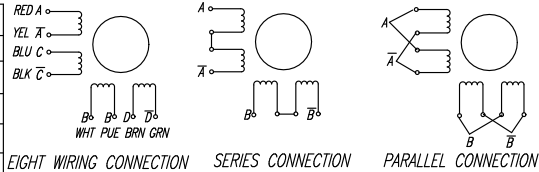
P-P  
2:1



□ SPECIFICATIONS unit=mm

□ COLORS OF LEAD WIRES BIPOLAR & UNI-POLAR

CONNECTION WISE	EIGHT WIRING	SERIES CONNECTION	PARALLEL CONNECTION
PHASE	2 PHASE	2 PHASE	2 PHASE
STEP ANGLE	1.8±5% °/STEP	1.8±5% °/STEP	1.8±5% °/STEP
VOLTAGE	3.1 V	4.3 V	2.2 V
CURRENT	5.0 A/PHASE	3.5 A/PHASE	7.0 A/PHASE
RESISTANCE	0.62±10% Ω/PHASE	1.24±10% Ω/PHASE	0.31±10% Ω/PHASE
INDUCTANCE	2 ±20% mH/PHASE	8 ±20% mH/PHASE	2 ±20% mH/PHASE
HOLDING TOGQUE	520 N.cm	680 N.cm	680 N.cm
INSULATION CLASS	B	B	B
LEAD STYLE	FF46-1/0.5	FF46-1/0.5	FF46-1/0.5
NO. OF LEADS	8	4	4



90HS78DE062D

SPECIFICATION

TAG	PLACE	CHANGE	NAME	DATE
DESIGN				
CHECK				
PROC.				

DESIGN MASS PLATE SCALE

NR PAGE